

**100%** Money Back  
**Guarantee**

**Vendor:**Juniper

**Exam Code:**JN0-660

**Exam Name:**Service Provider Routing and Switching,  
Professional

**Version:**Demo

### QUESTION 1

Which two configuration parameters are required to configure a BGP-sigaled VPLS service? (Choose two.)

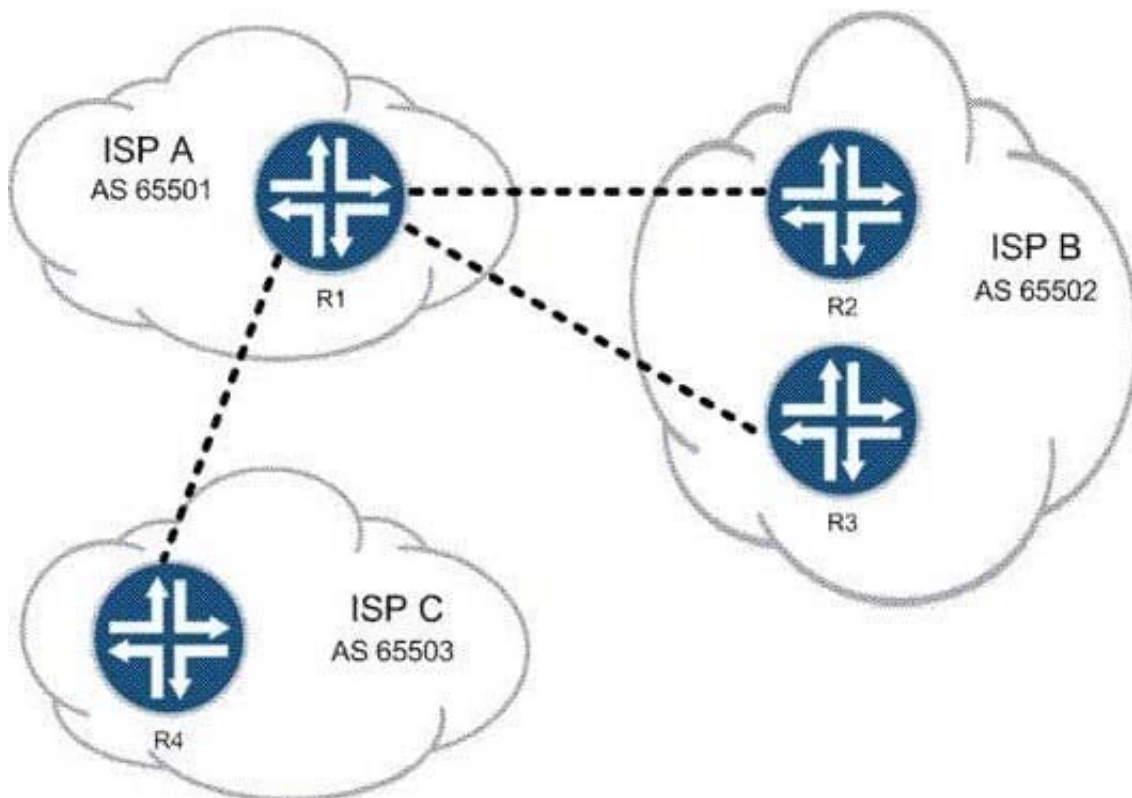
- A. vpls-id
- B. site-identifier
- C. route-distinguisher
- D. site-address

Correct Answer: BC

---

### QUESTION 2

Click the Exhibit button.



You are an employee of ISP A. You must not allow traffic between ISP B and ISP C to cross your network, but customers of ISP B and ISP C must be able to reach your customers. Referring to the exhibit, which two actions would do this? (Choose two.)

- A. Use communities to identify and filter routes.
- B. Use policy to filter routes on AS number.

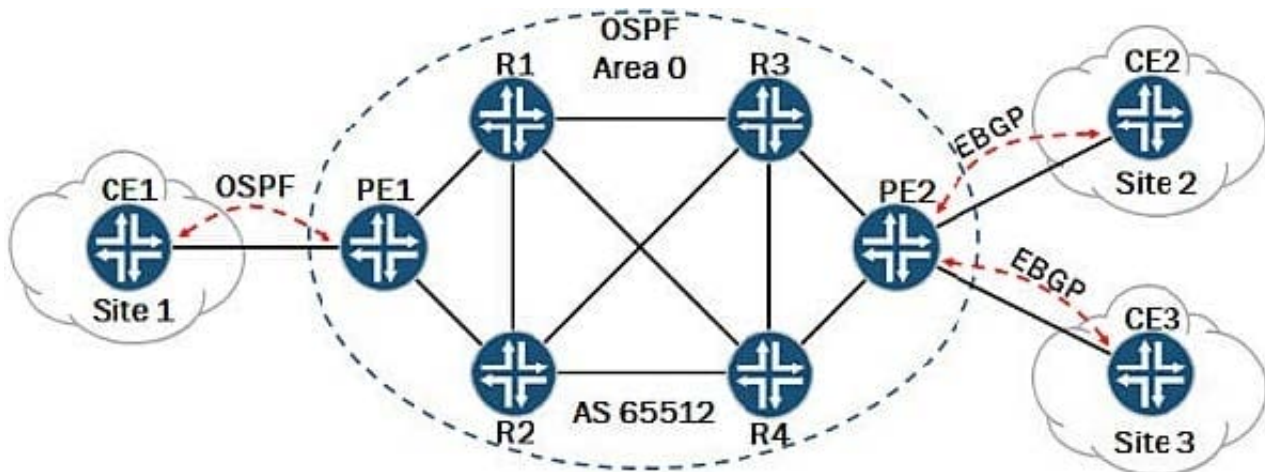
- C. Use origin code to identify and filter routes.
- D. Use the well-known no-advertise community.

Correct Answer: AD

---

### QUESTION 3

-- Exhibit



-- Exhibit -Click the Exhibit button.

Referring to the exhibit, you have recently configured a Layer 3 VPN between Site 1, Site 2, and Site 3.

The CE2 device has all routes from Site 1 and Site 3. The CE3 device has all the routes from Site 1 and Site 3. CE1 is not receiving any routes from either Site 2 or Site 3.

Which statement is correct?

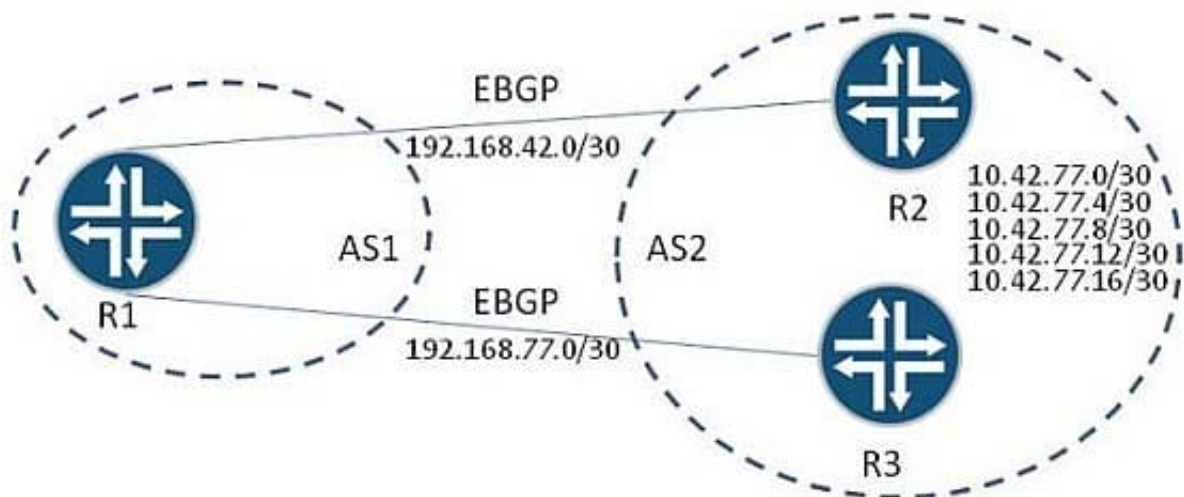
- A. PE2 must redistribute the routes into OSPF using a VRF export policy.
- B. You must configure a sham link between all three sites.
- C. OSPF is not a supported PE to CE routing protocol.
- D. You must create an export policy on PE1 to redistribute the VPN routes into OSPF.

Correct Answer: D

---

### QUESTION 4

-- Exhibit



```
user@R1> show route protocol bgp terse active-path
```

```
inet.0: 9 destinations, 14 routes (9 active, 0 holddown, 0 hidden)
```

```
+ = Active Route, - = Last Active, * = Both
```

A Destination	P Prf	Metric 1	Metric 2	Next hop	AS path
* 10.42.77.0/30	B 170	100		>192.168.42.2 192.168.77.2	2 I
* 10.42.77.4/30	B 170	100		192.168.42.2 >192.168.77.2	2 I
* 10.42.77.8/30	B 170	100		192.168.42.2 >192.168.77.2	2 I
* 10.42.77.12/30	B 170	100		192.168.42.2 >192.168.77.2	2 I
* 10.42.77.16/30	B 170	100		192.168.42.2 >192.168.77.2	2 I

-- Exhibit -Click the Exhibit button.

Which configuration parameter would create a routing table as shown in the exhibit?

- A. routing-options forwarding-table export load-balance-policy
- B. multipath
- C. protocols bgp export load-balance-policy
- D. multihop

Correct Answer: B

### QUESTION 5

You are deploying OSPFv2 and OSPFv3 in your network. You must enable authentication to secure OSPF communication.

Which authentication method is supported?

- A. MD5
- B. Simple
- C. IPsec
- D. RSA

Correct Answer: C

---

#### QUESTION 6

Router R5 has the overload parameter configured. Which statement is true?

- A. R5 will purge its LSAs from the network until the overload condition is cleared.
- B. R5 will increase its link metrics to 65535 and will stop forwarding transit traffic to OSPF destinations.
- C. R5 will increase its link metrics to 65535 and will continue to forward transit traffic to OSPF destinations.
- D. R5 will send an overload LSA to its neighbors to indicate it is in the overload state.

Correct Answer: C

---

#### QUESTION 7

Click the Exhibit button.

```
user@router# show routing-options multicast
scope 1 {
  prefix 224.0.1.39/32;
  interface fe-0/0/0.0;
}
```

Referring to the exhibit, which statement is correct?

- A. Only multicasts packets (224.0.1.39) are allowed on the input and output direction.
- B. Auto-RP discovery messages are filtered in the input and output direction.
- C. Rendezvous point announcements are filtered in the output direction.
- D. This filter does not work because the input or output parameter is missing.

Correct Answer: C

---

#### QUESTION 8

You are the administrator for a network that uses IS-IS as its IGP. As the network grows, you find that the protocol's

default capabilities for setting metrics is limiting your options. Which feature can you implement to provide a larger range of metric configuration capabilities?

- A. extended metrics
- B. wide metrics
- C. expanded metrics
- D. full metrics

Correct Answer: B

---

### QUESTION 9

Which two statements are true regarding the CSPF algorithm? (Choose two.)

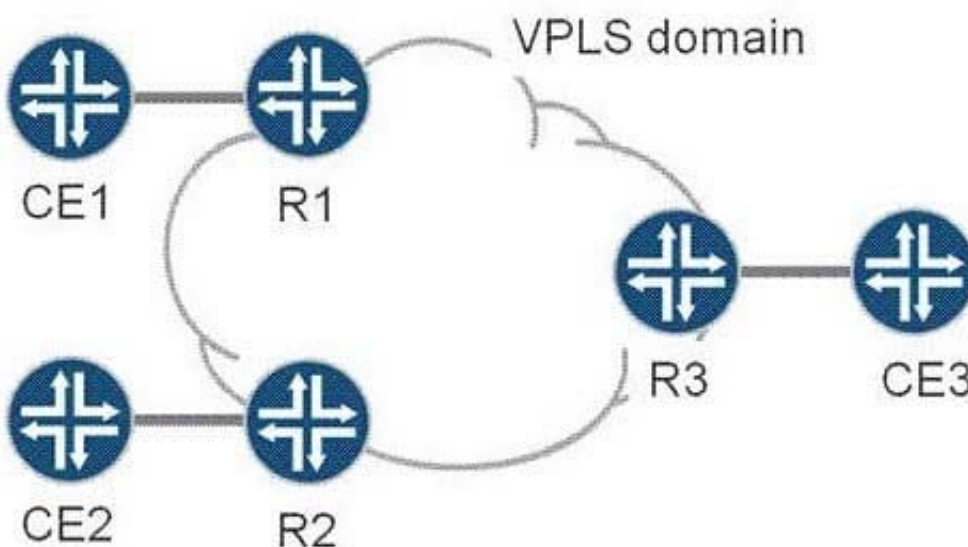
- A. LSPs with higher numerical setup priorities are computed before LSPs with lower setup priority values.
- B. LSPs with lower numerical setup priorities are computed before LSPs with higher setup priority values.
- C. The selected path for a given LSP is passed to RSVP in the form of an ERO.
- D. The selected path for a given LSP is passed to the TED in the form of an ERO.

Correct Answer: BC

---

### QUESTION 10

Click the Exhibit button.



CE1, CE2, and CE3 are part of a single VPLS VPN. R1, R2, and R3 are PEs in the provider network, and have just been powered on. The VPLS domain has converged, and frames have passed between all CEs in the last minute. An Ethernet frame has just arrived at R3 from CE3. It has a source MAC address of CE3 and a destination MAC address of

CE1.What does R3 do with the Ethernet frame?

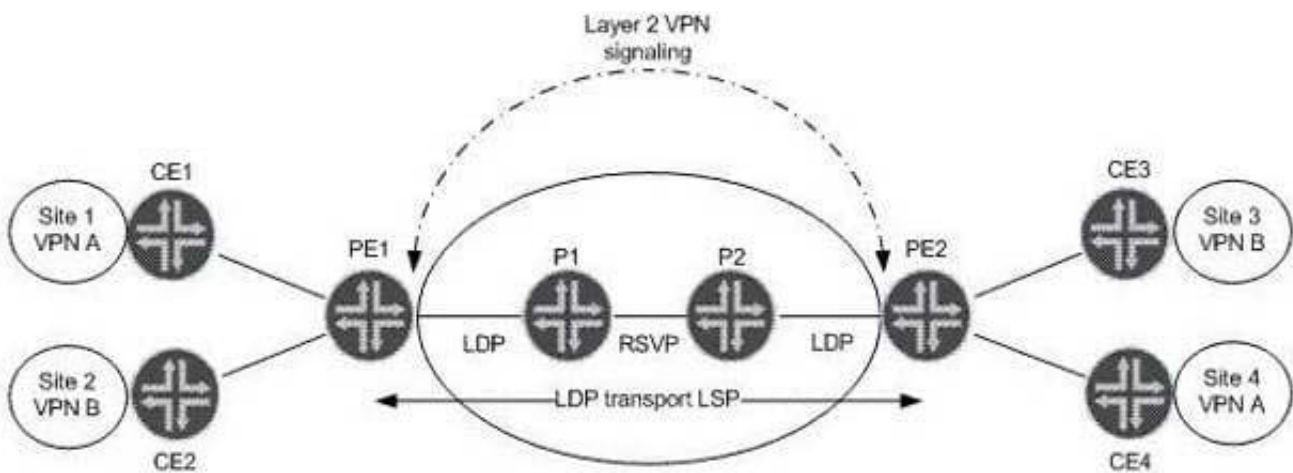
- A. Drops the packet as the destination MAC address is not for R3.
- B. Drops the packet as the destination MAC address is not in R3's MAC table.
- C. Forwards the packet to R1 only.
- D. Forwards the packet to R1 and R2.

Correct Answer: C

---

### QUESTION 11

Click the Exhibit button.



Referring to the exhibit, which statement is true assuming LDP VPN signaling?

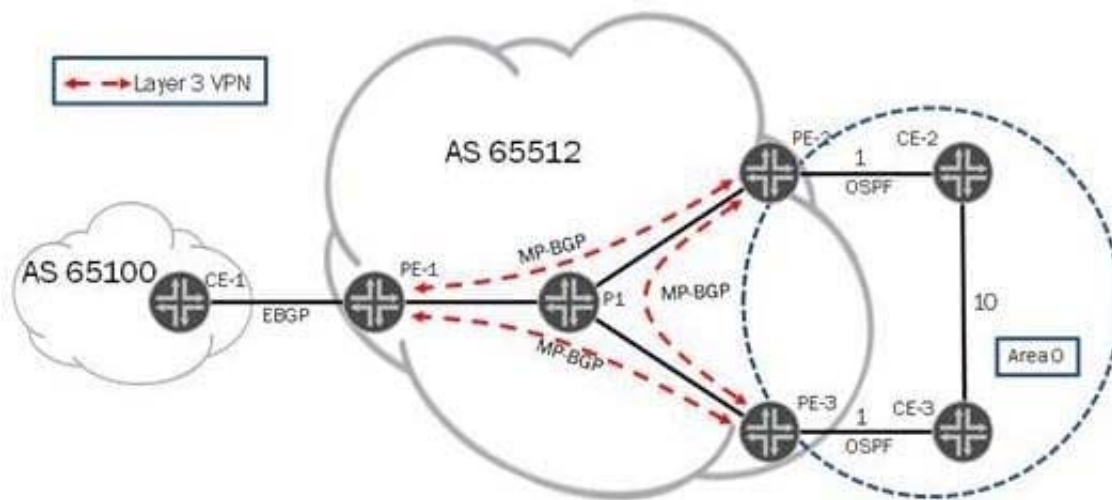
- A. PE1 uses the label value received from PE2 for VPN B as the inner label for VPN B.
- B. PE2 uses the label value received from PE1 for VPN A as the transport label for VPN A.
- C. P1 uses the label value for VPN A advertised by PE1, because RSVP is enabled.
- D. PE1 uses the transport label value received for VPN A that is advertised by PE2 as the inner label for VPN A.

Correct Answer: A

---

### QUESTION 12

Click the Exhibit button



You manage the network in the exhibit. Your customer contacts you and requests that OSPF traffic being routed between CE-2 and CE-3 use the VPN connection instead of the direct connection in its local network.

In addition to creating a sham link between PE-2 and PE-3, what step is required?

- A. Set the sham link remote metric to be lower than 8.
- B. Set the sham link local metric to be lower than 8.
- C. Set the sham link preference to be lower than 8.
- D. Set the sham link interface metric to be lower than 8.

Correct Answer: A